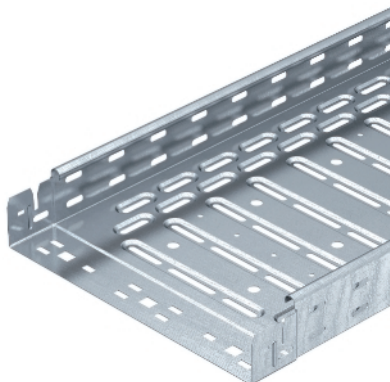


Cable tray RKS-Magic® 60 FS



Continuous equipotential bonding is guaranteed without additional components. The cable tray is tested for function maintenance, tested according to DIN 4102 Part 12 and for mounting above suspended fire protection ceilings (each for tray widths 100 - 400 mm).

The mounting version and parameters correspond to the valid certificates.

You can find additional information in our fire protection systems catalogue.

Cable tray with integrated quick fastening system. The usable length of the cable tray is 3,000 mm.

The cable tray possesses continuous side perforations of 7 x 20 mm for the installation of additional connection and mounting components.

The perforation for direct threaded rod suspension has a diameter of 11 mm.

Type	Width mm	Plate thickness mm	Pack. m	Weight kg/100 m	Item No.
RKSM 610 FS	100	0,75	3	132,131	6047611
RKSM 615 FS	150	0,75	3	155,080	6047630
RKSM 620 FS	200	0,75	3	183,000	6047638
RKSM 630 FS	300	0,75	3	235,080	6047654
RKSM 640 FS	400	0,9	3	331,340	6047689
RKSM 650 FS	500	0,9	3	385,900	6047719
RKSM 660 FS	600	0,9	3	453,340	6047735

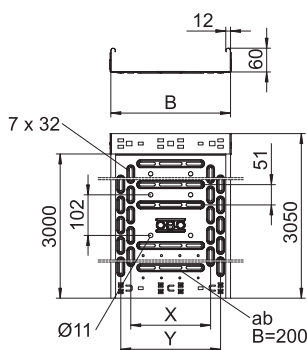
RKSM 610 FT	100	1	3	172,460	6047612
RKSM 615 FT	150	1	3	218,030	6047631
RKSM 620 FT	200	1	3	241,640	6047639
RKSM 630 FT	300	1	3	311,800	6047655
RKSM 640 FT	400	1	3	419,350	6047690

St Steel

FS Strip-galvanised

FT Hot-dip galvanised

Dimensions



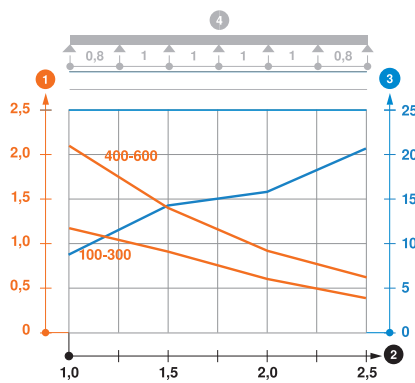
Type	Length mm	Dimen- sion B mm	Useful cross- section cm ²	Dimen- sion x mm	Dimen- sion y mm
RKSM 610 FS	3050	100	58	—	50
RKSM 615 FS	3050	150	88	50	100
RKSM 620 FS	3050	200	118	100	150
RKSM 630 FS	3050	300	178	200	250
RKSM 640 FS	3050	400	238	300	350
RKSM 650 FS	3050	500	298	400	450
RKSM 660 FS	3050	600	358	450	550
RKSM 610 FT	3050	100	58	—	50
RKSM 615 FT	3050	150	88	50	100
RKSM 620 FT	3050	200	118	100	150
RKSM 630 FT	3050	300	178	200	250
RKSM 640 FT	3050	400	238	300	350

Cable tray RKS-Magic® 60 FS

Load

Type 1.0 m 1.5 m 2.0 m 2.5 m NEMA
 kN/m kN/m kN/m kN/m load class

RKSM 610 FS	1,2	0,9	0,6	0,4	8AA
RKSM 615 FS	1,2	1	0,6	0,4	8AA
RKSM 620 FS	1,2	1	0,55	0,4	8AA
RKSM 630 FS	1,2	1	0,55	0,4	8AA
RKSM 640 FS	2,1	1,35	0,8	0,6	8AA
RKSM 650 FS	2,1	1,35	0,8	0,6	8AA
RKSM 660 FS	2,1	1,4	0,8	0,6	8AA
RKSM 610 FT	1,2	0,9	0,6	0,4	8AA
RKSM 615 FT	1,2	0,9	0,6	0,4	8AA
RKSM 620 FT	1,2	0,9	0,6	0,4	8AA
RKSM 630 FT	1,2	0,9	0,6	0,4	8AA
RKSM 640 FT	2,1	1,35	0,9	0,6	8AA



Load diagram, cable tray, type RKSM 60

- 1 Permitted cable tray/ladder load in kN/m without man load
- 2 Support width in m
- 3 Rail bend in mm at permitted kN/m
- 4 Load scheme during testing
- Load curve with cable tray/ladder width in mm
- Strut bend curve according to support width
- * From width 300 mm, tested with joint plate SSLB