





Adjustable-length Twist lever for position switch 3SE51/52 Metal lever 100 mm long Positive fit (grid hole) Plastic roller 50 mm



|   |                                 |
|---|---------------------------------|
| <b>Product brand name</b>   | SIRIUS                          |
| <b>Product designation</b>  | actuator for part-turn actuator |
| <b>Product type designation</b>   | 3SE5                            |
| <b>Manufacturer's article number</b>  |                                 |
| <ul style="list-style-type: none"> <li>of the supplied operating lever</li> </ul> | <a href="#">3SE5000-0AA67</a>   |

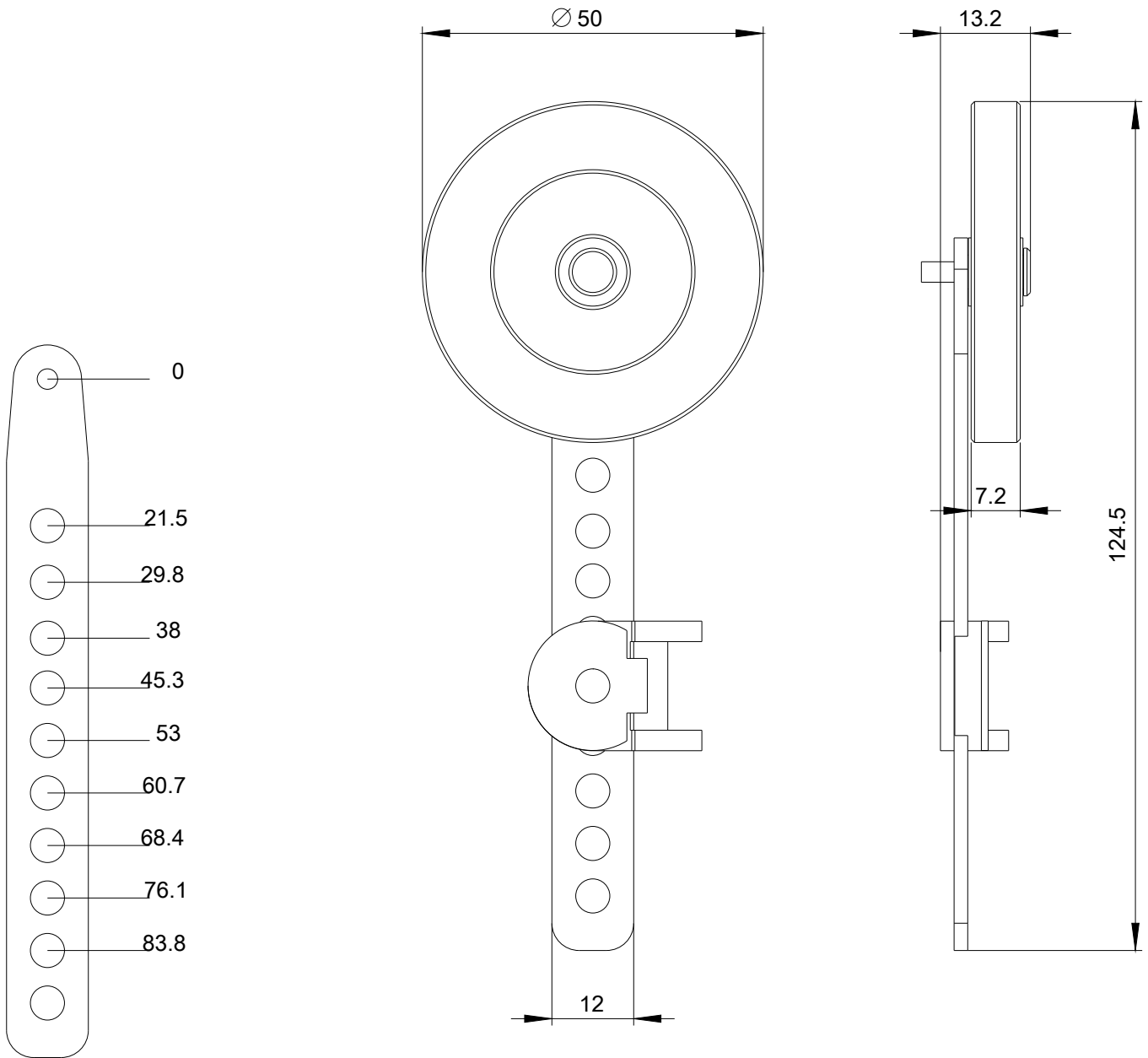
| General technical data   |              |
|--|--------------|
| <b>Product function</b>  |              |
| <ul style="list-style-type: none"> <li>positive opening</li> </ul>       | Yes          |
| <b>Shock resistance</b>  |              |
| <ul style="list-style-type: none"> <li>acc. to IEC 60068-2-27</li> </ul> | 30 g / 11 ms |
| <b>Vibration resistance</b>  |              |
| <ul style="list-style-type: none"> <li>acc. to IEC 60068-2-6</li> </ul>  | 0.35 mm/5g   |
| <b>Mechanical service life (switching cycles)</b>                        |              |
| <ul style="list-style-type: none"> <li>typical</li> </ul>                | 15 000 000   |
| <b>Reference code acc. to DIN EN 81346-2</b>                             | T            |
| <b>Reference code acc. to DIN EN 61346-2</b>                             | T            |
| <b>Active principle</b>  | mechanical   |
| Design of the interface for safety-related communication                 | without      |

| Enclosure                              |   |
|--|---|
| Coating of the enclosure               | Other types   |
| Drive Head                             |   |
| Design of the operating mechanism      | Adjustable twist lever, adjustable-length metal lever with latching, plastic roller 50 mm |
| Shape of the switch head               | roller  |
| Outer diameter of the switch head      | 50 mm   |
| Communication/ Protocol                |   |
| Design of the interface                | without   |
| Ambient conditions                     |   |
| Ambient temperature                    |   |
| • during operation                     | -25 ... +85 °C  |
| • during storage                       | -40 ... +90 °C  |
| Explosion protection category for dust | none  |
| Installation/ mounting/ dimensions     |   |
| Mounting position                      | any   |
| Mounting type                          | screw fixing  |
| Certificates/ approvals                |   |

| General Product Approval  | Declaration of Conformity  |
|---|--|
|   | <a href="#">KC</a>   |
|   | <a href="#">Miscellaneous</a>  |

|  |                              |
|--|------------------------------|
| Test Certificates                                  | other                        |
| <a href="#">Type Test Certificates/Test Report</a> | <a href="#">Confirmation</a> |

| Further information   |
|---|
| <b>Information- and Downloadcenter (Catalogs, Brochures,...)</b><br><a href="https://www.siemens.com/ic10">https://www.siemens.com/ic10</a>   |
| <b>Industry Mall (Online ordering system)</b><br><a href="https://mall.industry.siemens.com/mall/en/en/Catalog/product?mlfb=3SE5000-0AA67">https://mall.industry.siemens.com/mall/en/en/Catalog/product?mlfb=3SE5000-0AA67</a>  |
| <b>Cax online generator</b><br><a href="http://support.automation.siemens.com/WW/CAXorder/default.aspx?lang=en&amp;mlfb=3SE5000-0AA67">http://support.automation.siemens.com/WW/CAXorder/default.aspx?lang=en&amp;mlfb=3SE5000-0AA67</a>  |
| <b>Service&amp;Support (Manuals, Certificates, Characteristics, FAQs,...)</b><br><a href="https://support.industry.siemens.com/cs/ww/en/ps/3SE5000-0AA67">https://support.industry.siemens.com/cs/ww/en/ps/3SE5000-0AA67</a>  |
| <b>Image database (product images, 2D dimension drawings, 3D models, device circuit diagrams, EPLAN macros, ...)</b><br><a href="http://www.automation.siemens.com/bilddb/cax_de.aspx?mlfb=3SE5000-0AA67&amp;lang=en">http://www.automation.siemens.com/bilddb/cax_de.aspx?mlfb=3SE5000-0AA67&amp;lang=en</a> |



last modified:

06/08/2020