



Residual current operated circuit breaker, 2-pole, type A, selective, In: 40 A, 300 mA, Un AC: 230 V, N left

Model	
product brand name	SENTRON
product designation	RCCB
design of the product	Selective
product variations	N left
General technical data	
number of poles	2
size of installation devices / acc. to DIN 43880	1
mechanical service life (switching cycles) / typical	10 000
short-circuit current / of series fuse / maximum permissible	80 A
short-circuit current rating	10 kA
switching function / short-term delayed	No
overvoltage category	III
Supply voltage	
supply voltage	
• at AC / rated value	230 V
• for testing equipment / minimum	100 V
operating frequency	50/60 Hz
supply voltage frequency / rated value	50 Hz
Protection class	
protection class IP	IP20, if the distribution board is installed, with connected conductors
Switching capacity	
switching capacity current	
• acc. to EN 60898 / rated value	0.5 kA
• according to IEC 61008-1 / rated value	0.5 kA
Dissipation	
power loss [W]	
• for rated value of the current / at AC / in hot operating state / per pole	1 W
• maximum	2 W
Current	
tripping fault current / rated value	300 mA
operational current	
• at 40 °C / rated value	40 A
• at 45 °C / rated value	40 A
• at 50 °C / rated value	40 A
• at 55 °C / rated value	40 A

<ul style="list-style-type: none"> <li>• at 60 °C / rated value</li> <li>• at 65 °C / rated value</li> <li>• at 70 °C / rated value</li> <li>• at AC / rated value</li> </ul>	40 A		
	40 A		
	40 A		
	40 A		
residual current type	A		
let-through current / permissible	5 200 kA		
I2t value / permissible	58 000 A <sup>2</sup> ·s		
surge current resistance / rated value	5 kA		
<b>Product details</b>			
product feature / silicon-free	Yes		
product extension / installable / supplementary devices	Yes		
<b>Connections</b>			
connectable conductor cross-section / solid			
<ul style="list-style-type: none"> <li>• minimum</li> <li>• maximum</li> </ul>	0.75 mm <sup>2</sup> 35 mm <sup>2</sup>		
connectable conductor cross-section / stranded			
<ul style="list-style-type: none"> <li>• minimum</li> <li>• maximum</li> </ul>	0.75 mm <sup>2</sup> 35 mm <sup>2</sup>		
tightening torque / with screw-type terminals			
<ul style="list-style-type: none"> <li>• minimum</li> <li>• maximum</li> </ul>	2.5 N·m 3 N·m		
position / of power supply cord	top or bottom		
<b>Mechanical Design</b>			
height	90 mm		
width	36 mm		
depth	70 mm		
installation depth	70 mm		
number of modular width units	2		
fastening method	DIN rail (REG)		
mounting position	any		
<b>Environmental conditions</b>			
ambient temperature / during operation			
<ul style="list-style-type: none"> <li>• minimum</li> <li>• maximum</li> </ul>	-25 °C 45 °C		
ambient temperature / during storage			
<ul style="list-style-type: none"> <li>• minimum permissible</li> <li>• maximum permissible</li> </ul>	-40 °C 75 °C		
number of test cycles / for environmental testing / acc. to IEC 60068-2-30	28		
<b>General Product Approval</b>		<b>Declaration of Conformity</b>	<b>other</b>



[Miscellaneous](#)



[Miscellaneous](#)

Railway

Dangerous Good

[Confirmation](#)

[Vibration and Shock](#)

[Transport Information](#)

#### Further information

Information- and Downloadcenter (Catalogs, Brochures,...)  
<http://www.siemens.com/lowvoltage/catalogs>

Industry Mall (Online ordering system)

<https://mall.industry.siemens.com/mall/en/en/Catalog/product?mlfb=5SV3614-8KL>

Service&Support (Manuals, Certificates, Characteristics, FAQs,...)

<https://support.industry.siemens.com/cs/ww/en/ps/5SV3614-8KL>

Image database (product images, 2D dimension drawings, 3D models, device circuit diagrams, ...)

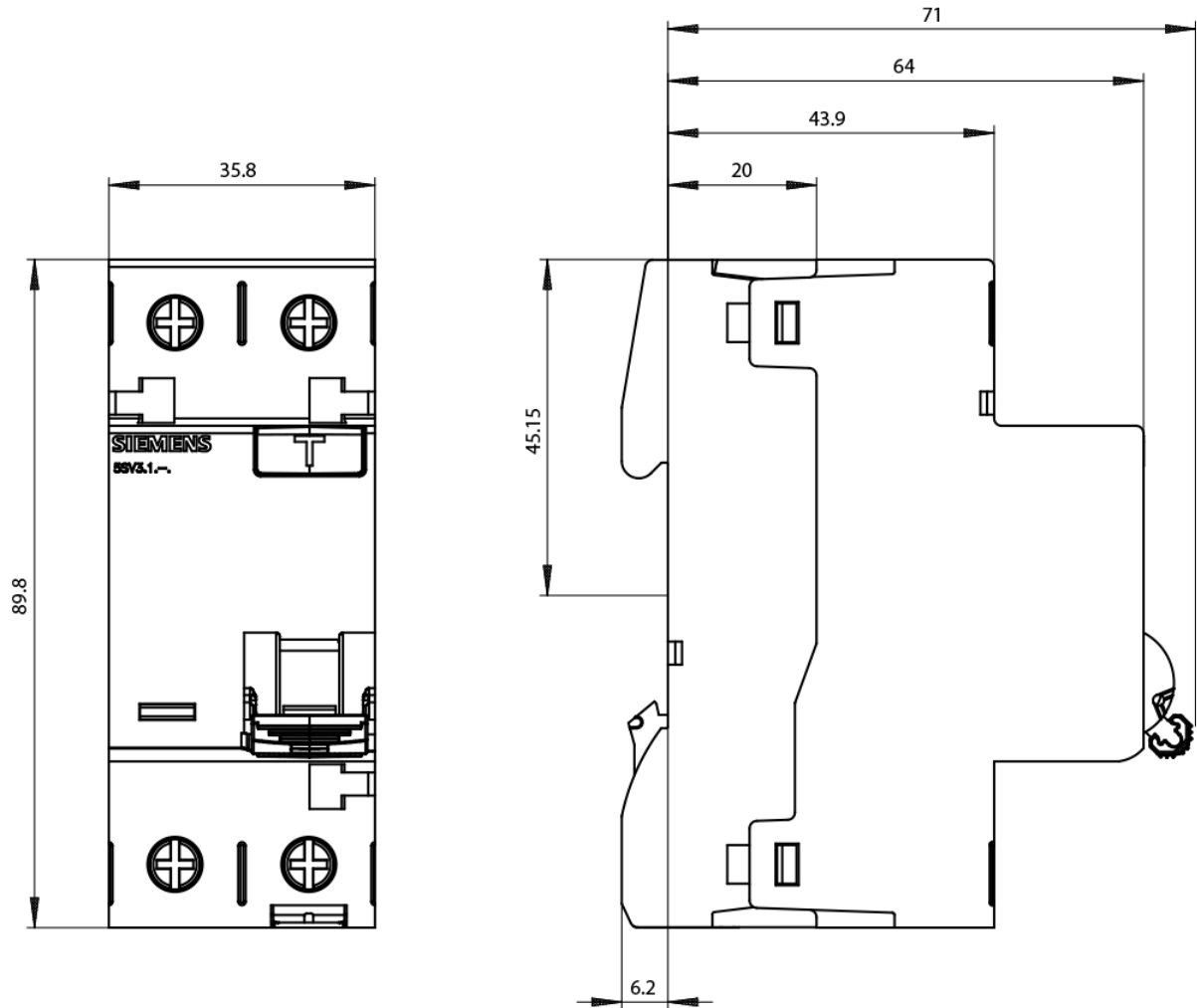
[http://www.automation.siemens.com/bilddb/cax\\_en.aspx?mlfb=5SV3614-8KL](http://www.automation.siemens.com/bilddb/cax_en.aspx?mlfb=5SV3614-8KL)

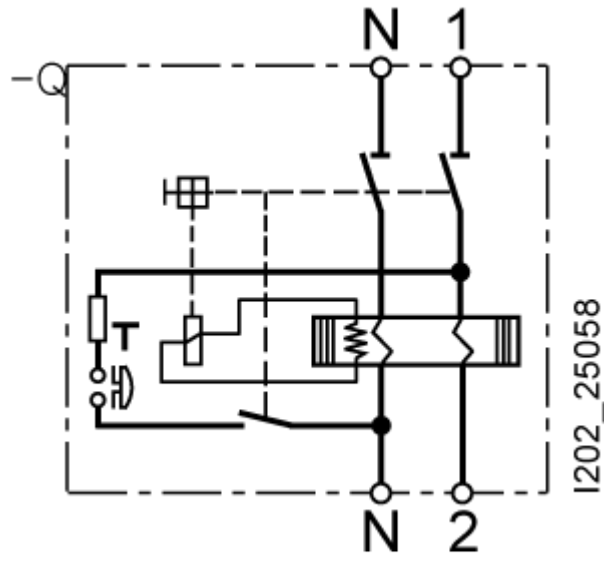
CAX-Online-Generator

<http://www.siemens.com/cax>

Tender specifications

<http://www.siemens.com/specifications>





-CB

